

## Model Specifications

---

The Outdoor Range offers a selection of portable, weather resistant fireplaces ideal for garden and swimming pool areas and perfect for intimate alfresco dining settings or commercial bars and restaurants. Placement of outdoor models must comply with minimum clearances to ensure flame stability in all weather conditions.

|                                    |   |
|------------------------------------|---|
| <b>Applicable EcoSmart™ Burner</b> | Standard models feature the Around Burner.<br>- please refer to specific Model Specification.   |
| <b>Fuel</b>                        | Use Denatured Ethanol only.<br>Some fuels are better than others, it's important to source information on the best fuel in your area from your local retailer/distributor. Visit <a href="http://www.ecosmartfire.com">www.ecosmartfire.com</a> to find out what Denatured Ethanol is called around the world.  |
| <b>Design Features</b>             | The Lantern stands 792mm high and each side is decorated with an interesting abstract cut-out pattern. When the Lantern is lit, the pattern is enhanced by the flame, creating a visually dramatic fireplace. The EcoSmart™ Fire Lantern is designed for indoor and outdoor use, and is suitable in both residential and commercial settings.   |
| <b>Construction Detail</b>         | SURROUND: Manufactured from mild steel with a bronze patina.<br><br>BURNER: Placement and clearance allocated for one (1) EcoSmart™ Around Burner only.   |
| <b>Indoor Ventilation</b>          | EcoSmart™ Fires do not require any form of permanent fixture or fitting, such as a flue for ventilation, a permanent gas connection or any kind of fixed utility for fuel supply.<br><br>In a house of typical construction, that is, one that is not of unusually tight construction due to heavy insulation and tight seals against air infiltration, an adequate supply of air for combustion and ventilation is provided through infiltration. However, if the heater is used in a small room where less than 5.7m <sup>3</sup> [200ft <sup>3</sup> ] of air space is provided for each 1000 BTU per hour of heater rating (considering the maximum burner adjustment), the door(s) to adjacent room(s) should be kept open or a window to the outside should be opened at least 25.4mm [1in] to guard against potential build up of indoor air pollution. Do not install or operate in a bathroom or any other small room.<br><br>The room cannot be less than 70m <sup>3</sup> [2472ft <sup>3</sup> ] per burner. |
| <b>Recommended Accessories</b>     | Fire Extinguisher   |
| <b>Compulsory Cross Reference</b>  | Please ensure you read the applicable Model Specifications for the EcoSmart™ Burner that is used in this model before ordering, specifying, installing or operating the EcoSmart™ Burner.   |

## Model Specifications

### Clearances

The Lantern is suitable for use both indoors and outdoors.

When used indoors there must be a minimum of 1500mm [59in] between the mouth of the flame and the nearest combustable at all times. Use common sense to ensure that your fire is positioned away from curtains, flammable materials and other sources of ignition. Be aware of drafts.

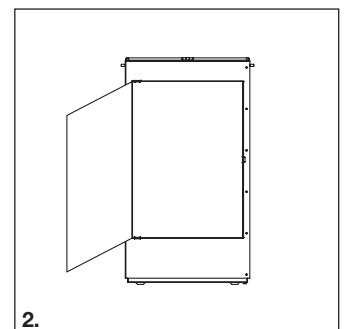
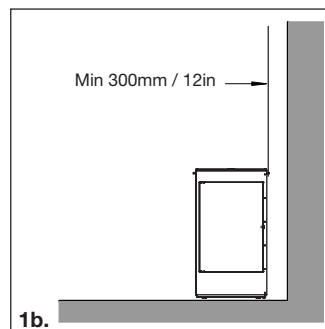
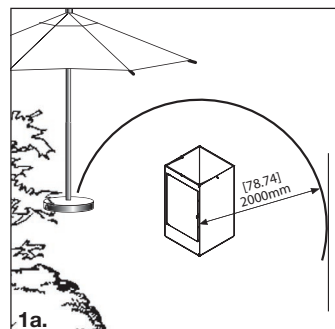
When used outdoors it is important that the model be:

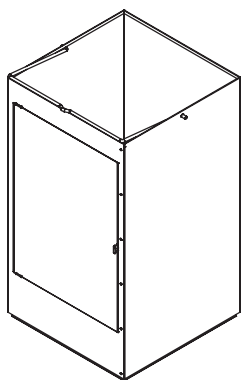
- positioned in a large open space ensuring that the nearest combustable (trees, branches, umbrellas, ceilings etc) are a minimum of 2000mm [78.74in] away in all weather conditions (for example, on windy days where there is movement in branches, the clearance must still be met).

### Installation Requirements

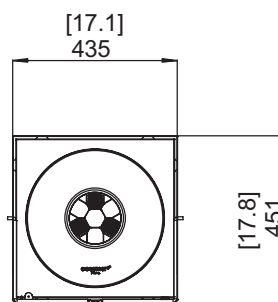
In all cases the EcoSmart™ Fire should be positioned on a level floor – the floor can be made of any material or fabric.

1. Position the fireplace in accordance to the compulsory minimum clearances.  
1a for outdoors, 1b for indoors;
2. Open the Lantern door and gently fit the Around Burner into position.

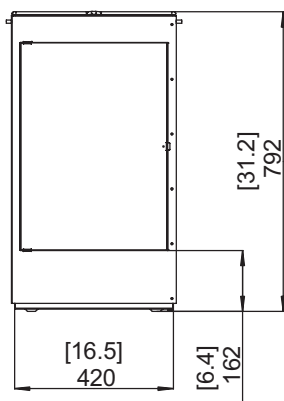




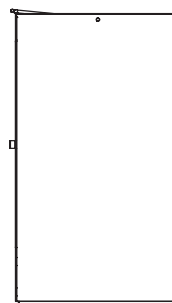
ISOMETRIC VIEW



TOP VIEW



FRONT VIEW



SIDE VIEW

**Measurements**

[inches] = imperial  
mm = metric

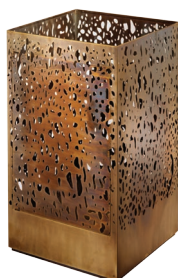
**Weight**

5.28kg, 11.65lbs

**Materials**

Mild steel with a bronze patina

Scale 1:20



## Conditions of Use

1. For the purposes of this model specification we refer to the fuel used in the EcoSmart™ Fire as **Denatured Ethanol\***.

**\*There are many different names for this fuel around the world. Please refer to [www.ecosmartfire.com](http://www.ecosmartfire.com) for a list of commercially available fuel names in your country.**

**Denatured Ethanol\* is classified as a Dangerous Goods Flammable Liquid Class 3, PGII and is regulated by specific standards and rules. You must familiarise yourself with the appropriate regulations of**

**your country in order to safely and legally store, handle, decant and use this fuel.**

The customer warrants to The Fire Company Pty Ltd that after delivery of their EcoSmart™ Fire and whilst The Fire Company Pty Ltd retains any interest in the goods or consigned goods (as the case may be) the customer shall comply with all applicable Acts, Regulations and Laws dealing with the transport, unloading and storage of Dangerous Goods.

2. Children do not recognize the dangers that can arise when handling Dangerous Goods,

nor do they recognize the volatility of flammable liquids when ignited. Please ensure you keep children at a safe distance and supervised at all times when operating the fire.

3. Approval from building authorities may be required. Please ensure you contact the appropriate parties before installing your EcoSmart™ Fire.

4. It is a condition of purchase that you obtain a fire extinguisher Ammonium Phosphate AB:E type. These can be purchased from your distributor or independently.

## Warnings

1. Risk of explosion:

- Never use any fuel other than the fuels specifically identified for use in the appliance. Never use gasoline.
- Never fill the fuel reservoir when it is operating or still hot.
- Never fill fuel reservoir in areas where flammable vapours or gas may be present.
- Never store or transport the fuel in other than a metal or plastic container that is:
  - Acceptable for use with the specific fuel.
  - Is in the original container for the alcohol fuel.

2. Never store fuel in the living space where the fire is situated.

3. Due to high surface temperatures, keep children, pets, clothing, and furniture away.

The unit is hot while in operation, contact with the EcoSmart™ Fire may cause skin burns.

4. Risk of indoor air pollution – use EcoSmart™ Fires only in well-ventilated areas. People with breathing problems should consult a physician before using the appliance.

5. Do not use the EcoSmart™ Fire to heat

or boil water or as a cooking appliance. Do not throw waste materials or paper into the EcoSmart™ Fire.

6. EcoSmart™ Fires have not been tested with an unvented gas log set. To reduce the risk of fire or injury, do not install an unvented gas log set into this appliance.

7. The EcoSmart™ Fire has not been tested for use with doors. To reduce the risk of fire or injury, do not install doors.

8. It is recommended that the EcoSmart™ Fire be fixed into position to avoid displacement as per instruction provided with each model.

9. Do not dismantle the EcoSmart™ Burner.

10. Do not attach any other tank to the EcoSmart™ Burner.

11. EcoSmart™ Fires must only be operated using authorised accessories & equipment.

12. Do not obstruct the open/close sliding mechanism of the EcoSmart™ Burner in any way as this could result in the jamming/non functionality of the shut off mechanism.

13. The EcoSmart™ Burner should not be started if a fault is suspected or when there appears to be any damage to the burner or its housing.

14. The use of any fitting other than those available from or recommended by The Fire Company Pty Ltd for the EcoSmart™ Firebox and Burner is not permitted.

15. The Fire Company Pty Ltd does not accept responsibility for any damage which occurs if the EcoSmart™ Fire is used for purposes other than those for which it is intended, or if it is incorrectly operated or repaired by unqualified persons.

16. The EcoSmart™ Fire is not intended to operate continuously. To avoid heat expansion and potential splitting of the timber framework in Designer Range models please ensure that the model is allowed to cool down completely on a regular basis.

If you have any questions regarding any of the above important safety information please contact your distributor or The Fire Company Pty Ltd.

## Testing & Compliance

Some models from the EcoSmart™ Fire Collection have achieved the following certification and approvals:



The EcoSmart™ Fire is manufactured by The Fire Company Pty Ltd whose quality management system is certified as being in conformity with ISO 9001:2000.



The EcoSmart™ Fire is the first product of its kind to have its collection so comprehensively C-UL US listed. For the most up to date list of C-UL US Listed models and compliance requirements please contact your local distributor.

Investigation into applicable standards and testing platforms for compliance to GS & CE were held and The Fire Company has gained a Compliance Verification Declaration from Globalnorm GmbH.



The EcoSmart™ Fire Collection has achieved Swedish Institute for Technical Approval in Construction (SITAC) approval.

Instructions and specifications for the EcoSmart™ Fire were tested as far as practicable to a selection of clauses from AS4553/AG103 – Australian Standard for Gas Space Heaters (closest comparable product at the time of invention)



EcoSmart Fire is TÜV certified in Germany when using Burner Two within a Firebox setting. For further information, please contact your distributor.